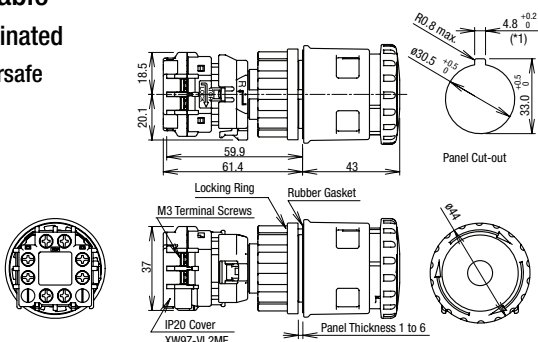


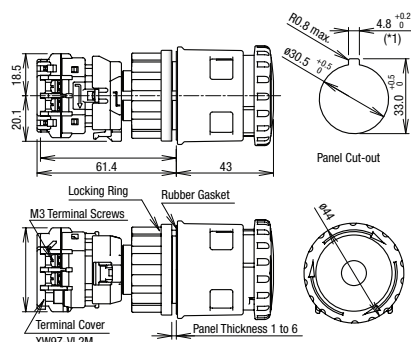
APEM
Switches & Pilot Lights
Control Boxes
Emergency Stop Switches
Enabling Switches
Safety Products
Explosion Proof
Terminal Blocks
Relays & Sockets
Circuit Protectors
Power Supplies
LED Illumination
Controllers
Operator Interfaces
Sensors
AUTO-ID

Dimensions

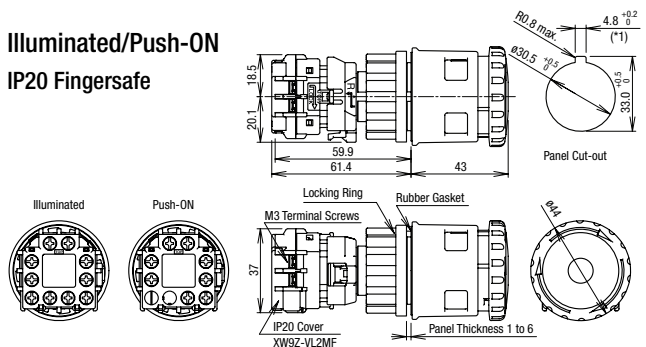
Padlockable
Non-Illuminated
IP20 Fingersafe



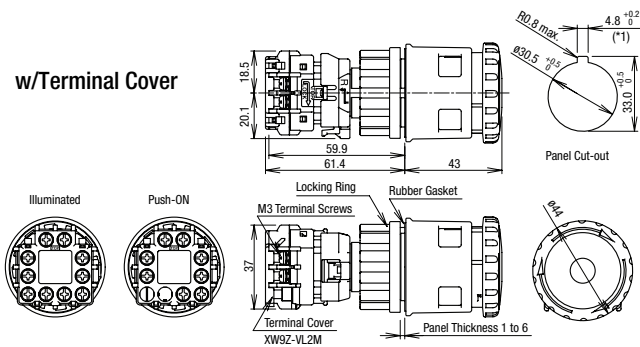
w/Terminal Cover



Illuminated/Push-ON
IP20 Fingersafe

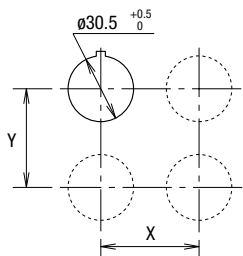


w/Terminal Cover



*1) Make sure that the panel cut-out is as shown in the drawing as the operator has a projection for anti-rotation.

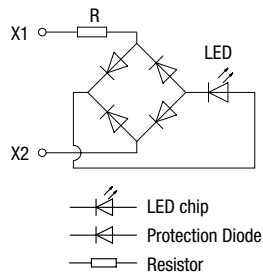
Mounting Hole Layout



| | X | Y |
|---------------|---------------|---|
| Plastic Bezel | 70 mm minimum | |
| Flush Bezel | | |

- The values shown above are the minimum dimensions for mounting with other ø30 mm pushbuttons. For other control units of different sizes and styles, determine the values according to the dimensions, operation, and wiring convenience.
- For padlockable, determine the values according to the size and number of padlocks and hasp.

LED Unit Internal Circuit



X6
XA
XW
XN
SEMI